



OFF-GRID SOLAR FLOOD LIGHT

40W/80W/160W/240W



- ALLTOP solar flood light is equipped with 2835 LED lamp beads, providing super bright lighting and high conversion rate solar panels, and the lamp body shell is made of die-cast aluminum. It comes with a light sensor, which automatically charges during the day in sunny days and automatically lights up at night, giving you a good experience; IP65 waterproof, very suitable for outdoor use.



PRODUCT DESCRIPTION

Intelligent Control

Built-in photoelectric sensor, Auto-on/Off. 6-8 hours get fully charged and 16-20 hours long lighting time, large capacity lithium battery, built-in intelligent control chip, automatically adjust the working power with battery capacity change, guarantee long lighting time.



Energy Save

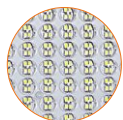
No electricity cost, entirely solar powered and wireless installation, which can save your cost. Provide lighting and safety for your garden, garage, road and shack at any time, can be used as wall lights, street lights, garden lights, etc. 3 year warranty ensures this will quickly become your favorite no-risk purchase.



Durable & Long Service Time

This LED flood light fixture comes with an aluminum shell which features great thermal conductivity, it can improve high energy efficiency and keep the LED chip works in low temperature, and make the light durable for long working time.



PRODUCT DETAILS**SMD2835 LED Chips**

Moisture-proof and waterproof, high quality LED lamp bead has a wide lighting range.

**Adjustable Angle**

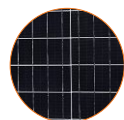
180° can be adjusted at any angle for easier installation and is suitable for use in any location.

**Battery**

Long battery lifespan and more durable, even use in the -2°C~65°C area

**Die-casting Aluminum**

Lamp Housing Stable and strong, waterproof and rustproof.

**Solar Panel**

High quality polycrystalline silicon material, high charging efficiency, long lifespan

**Optical Lens**

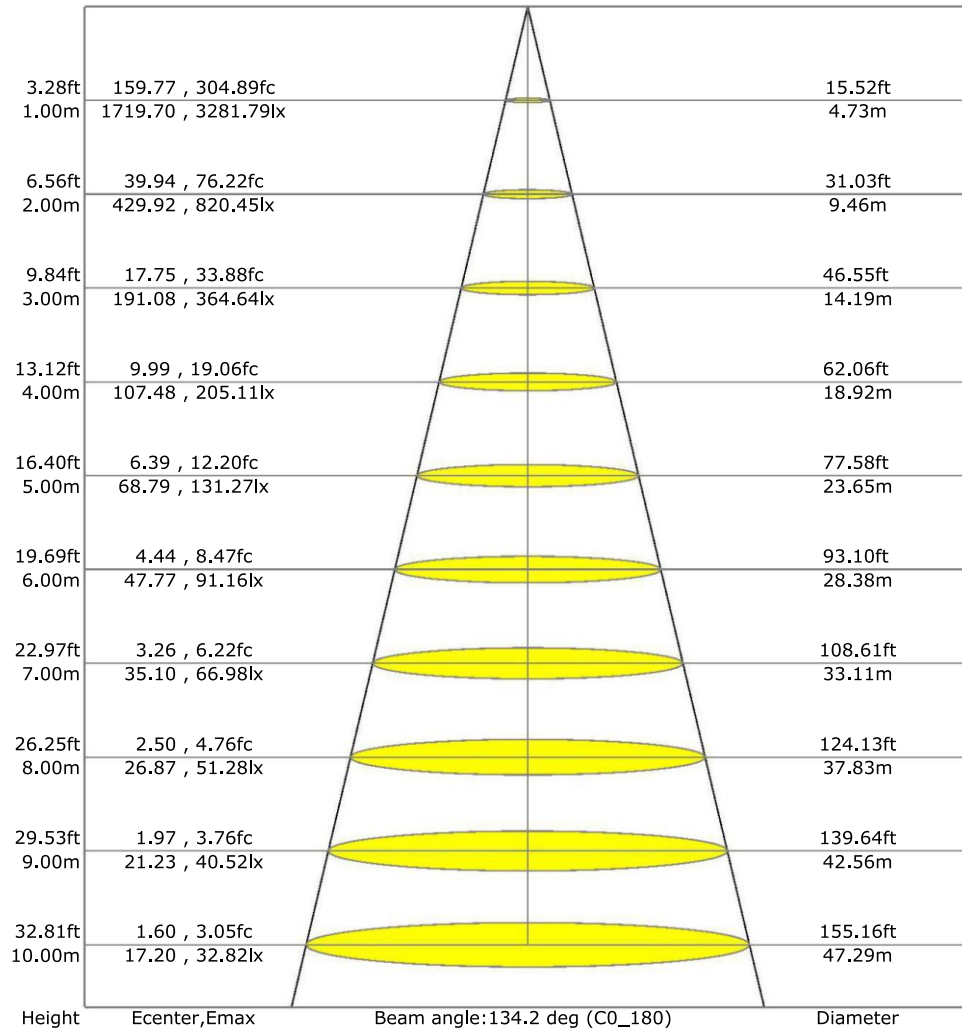
The Lens makes the light spot is uniform, there is no astigmatism, no shadow, and the transmittance is very high, which maximizes the utilization of LED light.



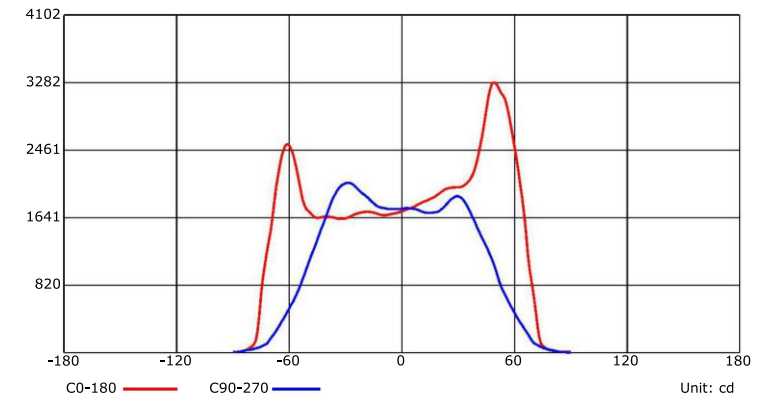
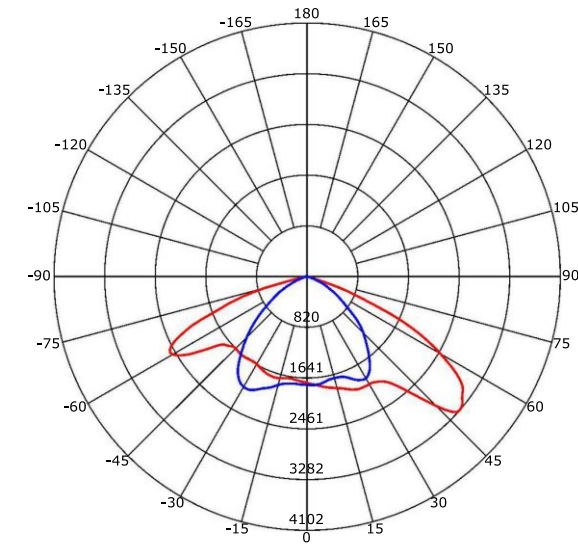
APPLICATION



LX-DISTANCE DIAGRAM



Luminous Intensity Distribution Curve



BATTERY SPECIFICATION



| | | | | |
|----------------------------------|--|------|------|------|
| DesignLife | 6-8 years | | | |
| Nominal Voltage | 3.2V | | | |
| Nominal Capacity | 6Ah | 14Ah | 15Ah | 20Ah |
| | Self-Discharge | | | |
| | 3% of capacity declined per month at 20°C(average) | | | |
| | Operation Temperature Range | | | |
| Discharge | -20~60°C | | | |
| Charge | -10~60°C | | | |
| Storage | -20~60°C | | | |
| Max.Discharge Current 77°F(25°C) | 1200A(5s) | | | |
| Short Circuit Current | 3000A | | | |

BATTERY GUARANTEE OF QUALITY

No.1 Battery Cells

High-end battery cells keep every cell's voltage, resistance, capacity, discharging always in sync

No.2 Battery Protector

High precision IC keep performance more stable protect over load, over charge, over discharge, short circuit, over voltage, over current keep battery pack always safe and long life span

No.3 Precision Welding Machine

Fully automatic precision welding machine can ensure that every battery can be welded firmly to prevent the danger of short circuit or power failure

No.4 Aging Test Machine

every battery pack need to thorough charging and discharging test by the aging test machine to keep 100% qualified

SMD 2835 INTRODUCTION



Bridgelux Thrive™ combines unique chip, phosphor and packaging technology to closely match the spectra of natural light over the visible wavelength range. Thrive can be used in constant color point luminaires to bring full spectrum natural light indoors or in tunable white luminaires to incorporate circadian elements that may impact human well-being. The high fidelity spectral output of Thrive creates stunning environments with excellent color rendering and outstanding TM30 metrics. Thrive is available in both SMD components and LED arrays to enable a broad range of lighting applications including retail, hospitality, office, education, architectural, museums, healthcare and residential lighting.

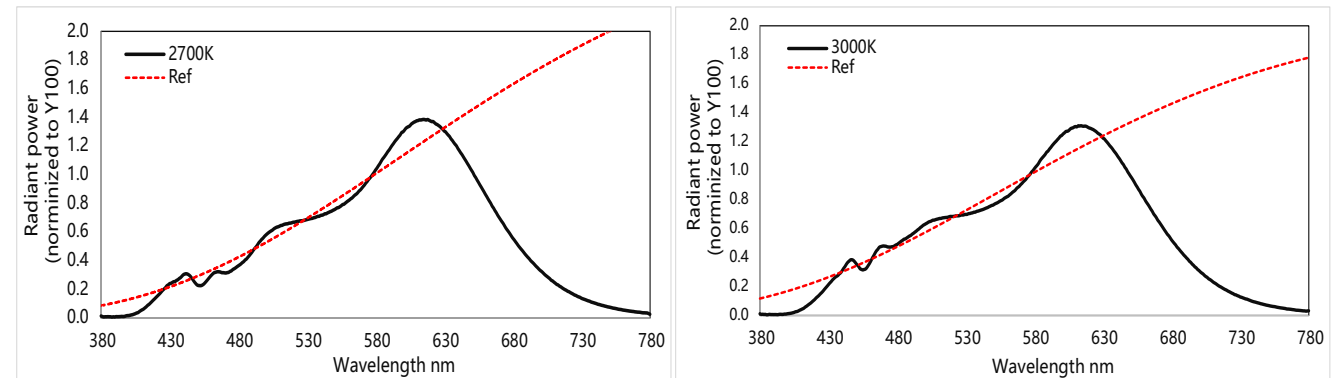
Features

- Engineered spectra to closely match natural light
- CRI > 90, R9 >50, high Rf and Rg values
- High efficiency full spectrum solution
- No violet chip augmentation
- Hot color targeted
- Industry standard 2835 footprint
- Broad product platform availability (SMDs and COBs)

Benefits

- Full consistent spectrum with fewer spectral spikes
- Natural and vivid color rendering
- Greater energy savings, lower utility costs
- Economical, high efficiency solution
- Uniform and consistent white light under application conditions
- Ease of design and rapid go-to-market
- Enables greater design flexibility and platform color consistency

Typical Color Spectrum



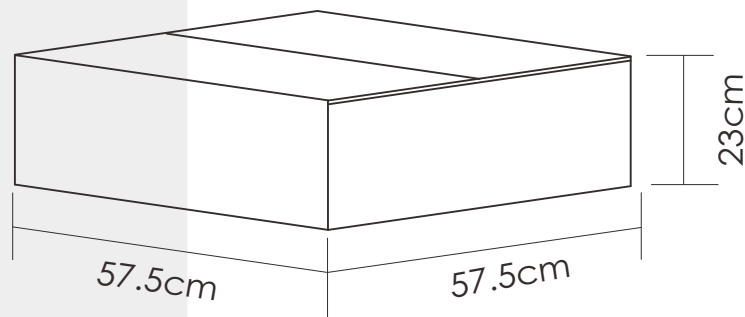
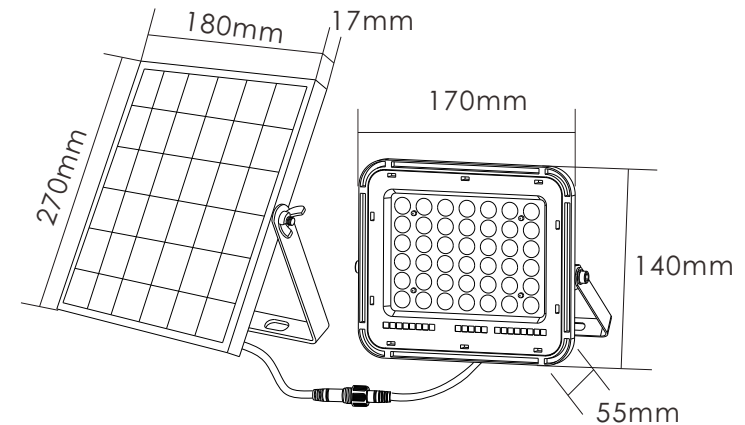
Note :

1. Color spectra measured at typical current for Tsp = 85°C
2. Spectra are provided as reference only and are not a guarantee of performance
3. Spectra under different current will be different from the Spectra under typical current.

PRODUCT SPECIFICATION

0350A40-01 40W

| | |
|------------------|------------------------|
| Model | 0350A40-01 |
| LED Chip | 2835 LED 168PCS 6000K |
| Solar Panel | 6V 6W, Polycrystalline |
| Battery Type | LiFePO4 3.2V 6AH |
| Charging Time | 6-8 hours |
| Discharging Time | 20-24 hours |
| LED | 160lm/w |
| Material | Die-Casting Aluminium |
| Product Size | 170*140*55mm |
| Warranty | 3 years |



PACKAGING SPECIFICATION

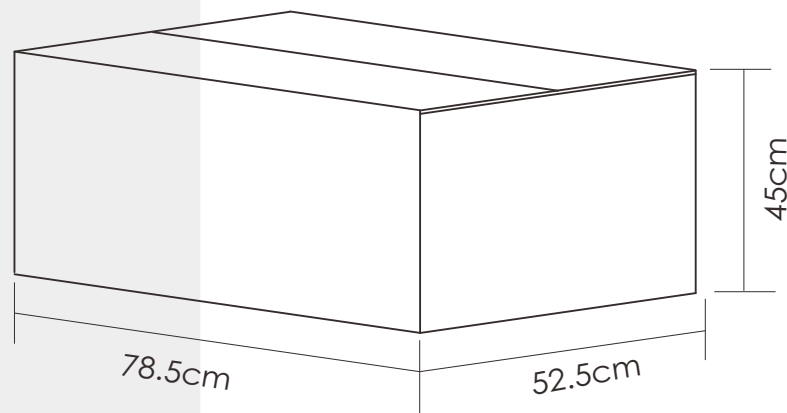
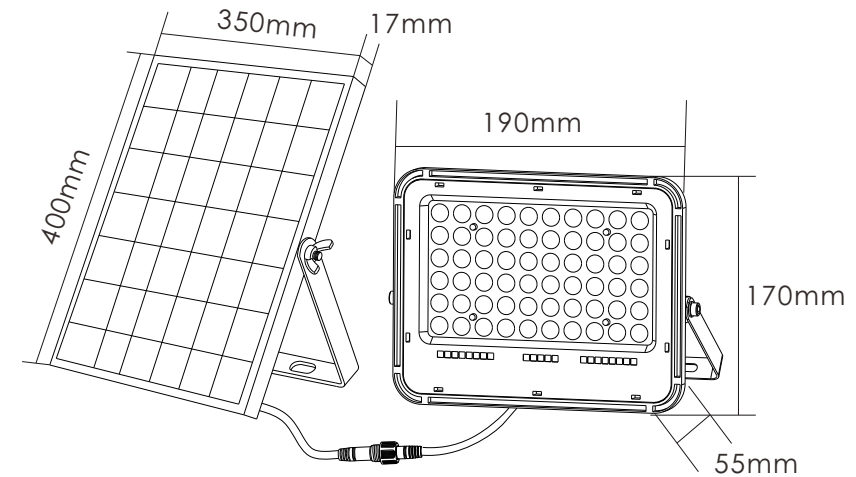
| P/N | Power | Packing Size (CM) | | | PCS/CTN | CBM/CTN | G.W/CTN (KGS) |
|------------|-------|-------------------|-------|-------|---------|---------|---------------|
| | | L | W | H | | | |
| 0350A40-01 | 40W | 57.50 | 57.50 | 23.00 | 10 | 0.0760 | 23 |

PRODUCT SPECIFICATION

0350B60-01

80W

| | |
|------------------|-------------------------|
| Model | 0350B60-01 |
| LED Chip | 2835 LED 240PCS 6000K |
| Solar Panel | 6V 18W, Polycrystalline |
| Battery Type | LiFePO4 3.2V 14AH |
| Charging Time | 6-8 hours |
| Discharging Time | 20-24 hours |
| LED | 160lm/w |
| Material | Die-Casting Aluminium |
| Product Size | 190*170*55mm |
| Warranty | 3 years |



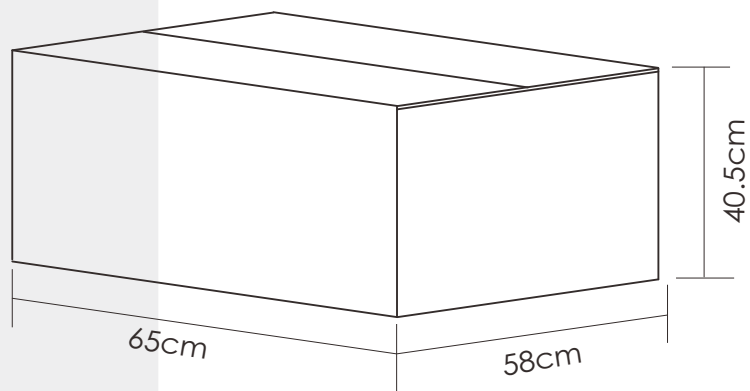
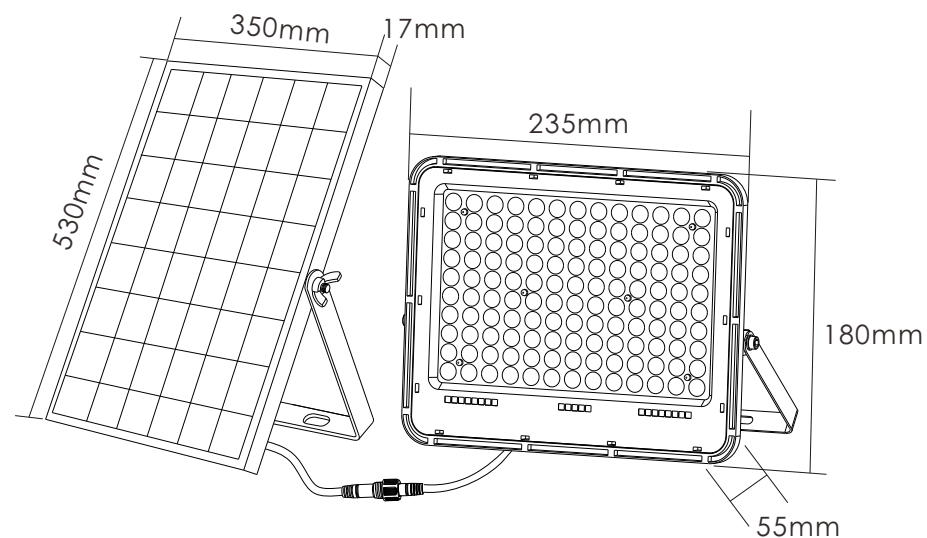
PACKAGING SPECIFICATION

| P/N | Power | Packing Size (CM) | | | PCS/CTN | CBM/CTN | G.W/CTN (KGS) |
|------------|-------|-------------------|-------|-------|---------|---------|---------------|
| | | L | W | H | | | |
| 0350B60-01 | 80W | 78.50 | 52.50 | 45.00 | 8 | 0.1855 | 25 |

PRODUCT SPECIFICATION

0350C100-01 160W

| | |
|------------------|-------------------------|
| Model | 0350C100-01 |
| LED Chip | 2835 LED 520PCS 6000K |
| Solar Panel | 6V 24W, Polycrystalline |
| Battery Type | LiFePO4 3.2V 15AH |
| Charging Time | 6-8 hours |
| Discharging Time | 20-24 hours |
| LED | 160lm/w |
| Material | Die-Casting Aluminium |
| Product Size | 235*180*55mm |
| Warranty | 3 years |



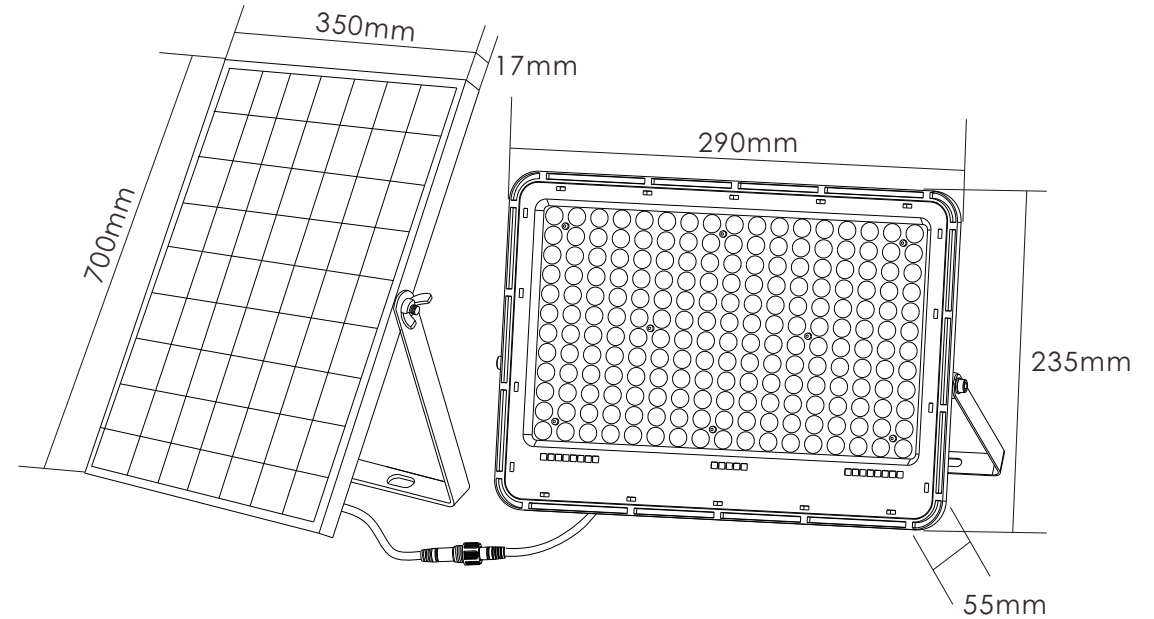
PACKAGING SPECIFICATION

| P/N | Power | Packing Size (CM) | | | PCS/CTN | CBM/CTN | G.W/CTN (KGS) |
|-------------|-------|-------------------|-------|-------|---------|---------|---------------|
| | | L | W | H | | | |
| 0350C100-01 | 160W | 65.00 | 58.00 | 40.50 | 5 | 0.1527 | 25.5 |

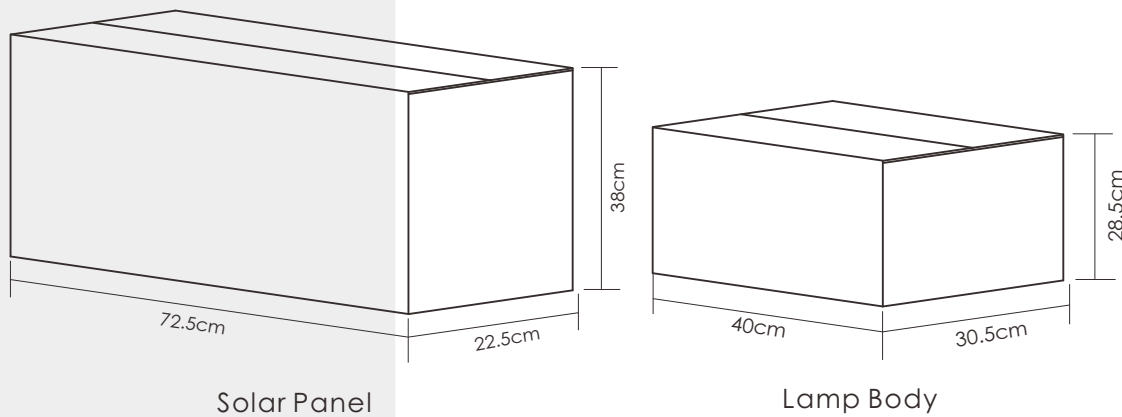
PRODUCT SPECIFICATION

0350D150-01 240W

| | |
|------------------|-------------------------|
| Model | 0350D150-01 |
| LED Chip | 2835 LED 816PCS 6000K |
| Solar Panel | 6V 35W, Polycrystalline |
| Battery Type | LiFePO4 3.2V 20AH |
| Charging Time | 6-8 hours |
| Discharging Time | 20-24 hours |
| LED | 160lm/w |
| Material | Die-Casting Aluminium |
| Product Size | 290*235*55mm |
| Warranty | 3 years |



PACKAGING SPECIFICATION



| P/N | Power | Packing Size (CM) | | | PCS/CTN | CBM/CTN | G.W/CTN (KGS) | |
|-------------|-------|-------------------|-------|-------|---------|---------|---------------|-------------|
| | | L | W | H | | | | |
| 0350D150-01 | 240W | 40.00 | 30.50 | 28.50 | 5 | 0.0348 | 15.5 | Lamp Body |
| | | 72.50 | 22.50 | 38 | 5 | 0.0620 | 19 | Solar Panel |

KEY INSTRUCTIONS OF REMOTE CONTROL

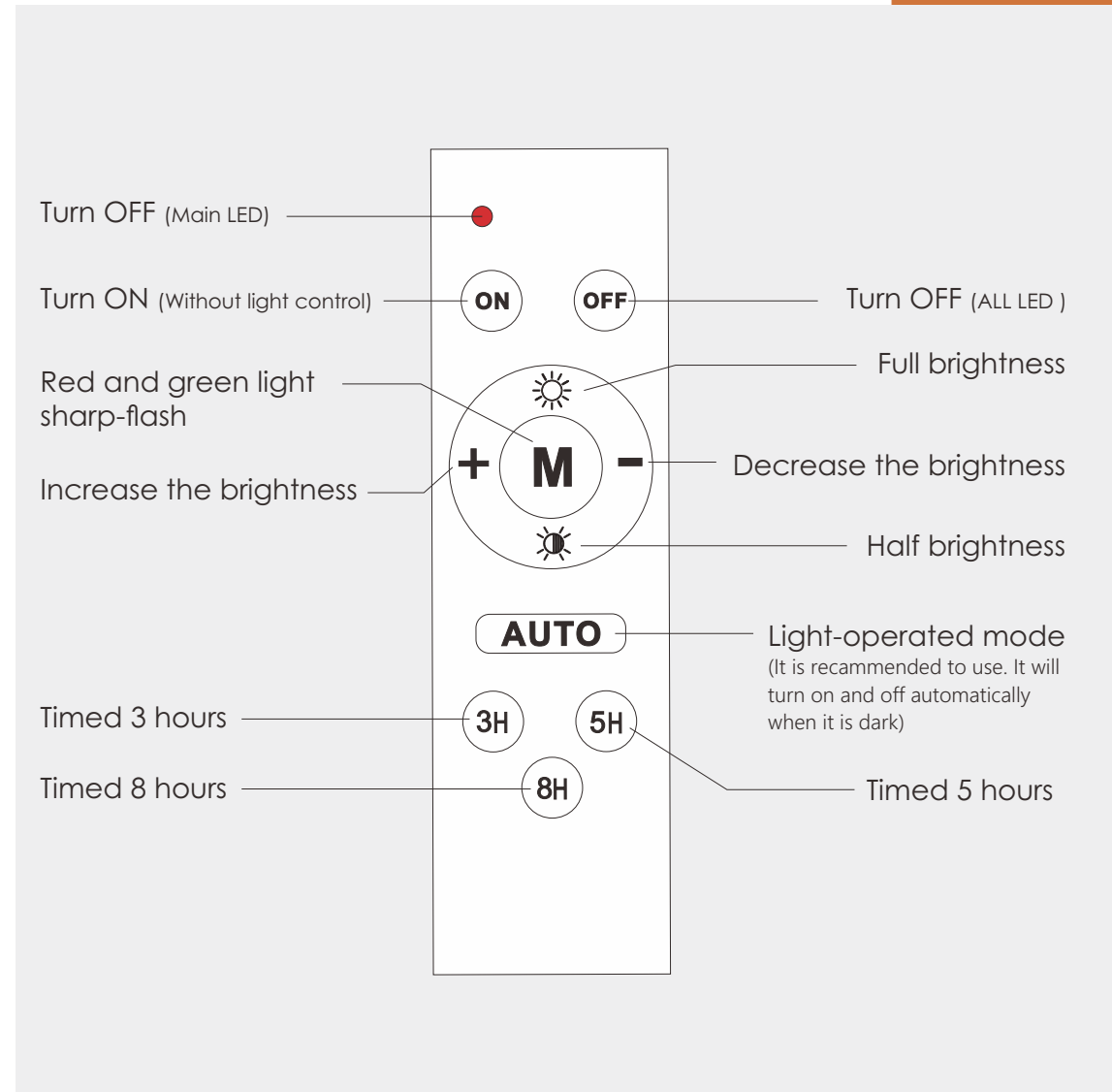
Light-operated mode.

Tightening the waterproof wire and pressing the key "AUTO", the light will automatically turn on in the dark and turn off to charge in the day.

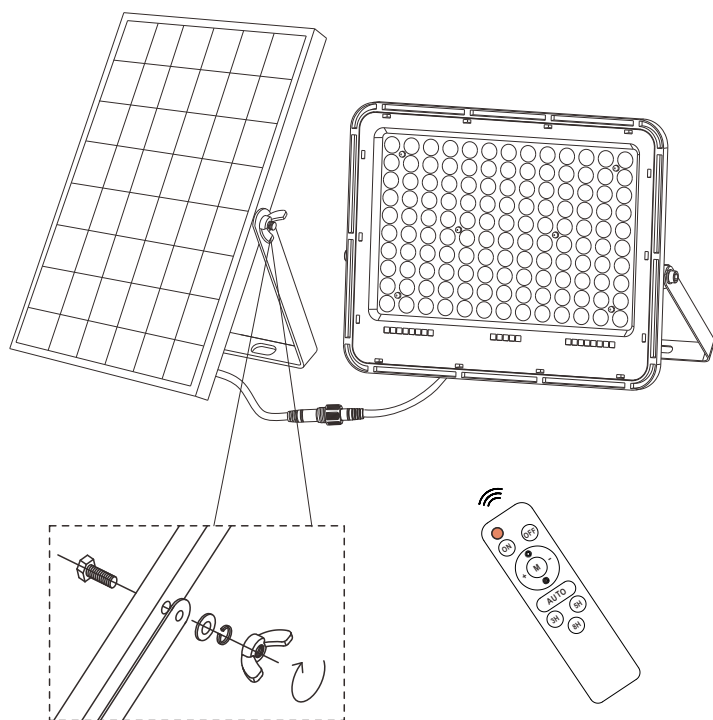
(The remote control has memory function, you can set only once)

Important Notification

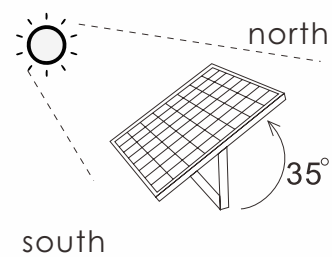
1. Please do not accept 220V ac to avoid damaging the solar lamp.
2. Please ensure the installation is stable to avoid hurting others.
3. Please do not disassemble the lamp to avoid affecting the warranty
4. Please clean the dust on the solar panel surface every 3 months to avoid affecting the power generation efficiency.



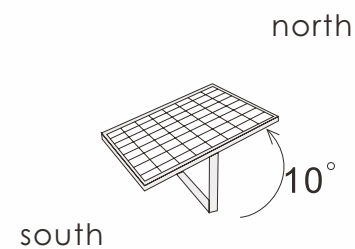
INSTALLATION GUIDE



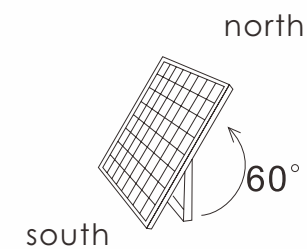
1. Press the MODE key once, and the LED light will flash and switch to non-light control function;
 2. Press MODE again. The LED light blinks slowly for two times and then turns off. Then the LED light control function is switched on;
- Note: The first turn on defaults to light sensitive mode.



100% charging efficiency



75% charging efficiency



50% charging efficiency



Tips:

1. Installation direction of the solar panel is 5-10 degrees south to west, an angle of 35 degrees with the horizontal plane.
2. Please install the solar panel in the sun direction to avoid affecting the power generation efficiency.
3. Please ensure the installation is stable.