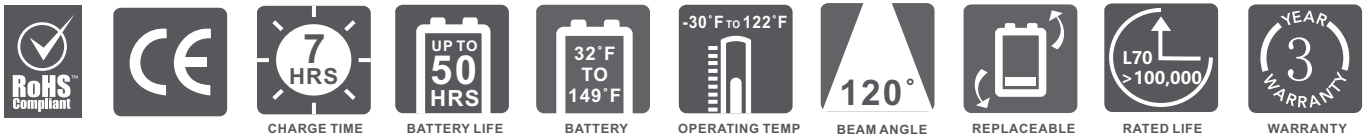


OFF-GRID
SOLAR FLOOD LIGHT
3000W

This floodlight has a new waterproof design housing that can handle all weather conditions and can easily handle all kinds of outdoor weather.

- Fully programmable via solar controller and photo control
- Built-in battery and solar controller
- Advanced new LiFePO4 battery lasts at least 2000 charge cycles and will last three nights with one day charge
- It is suitable for Building facade, Large gymnasium, Courtyard Villa Square park, bridge decoration, and billboard, etc.
- Dimensions(L*W*H):
550*440*121.7mm



www.alltopgroup.com

Zhongshan ALLTOP Lighting CO., LTD

Fuqing Road2, Yongxing Industrial Park, Henglan, Zhongshan, Guangdong, P.R.C

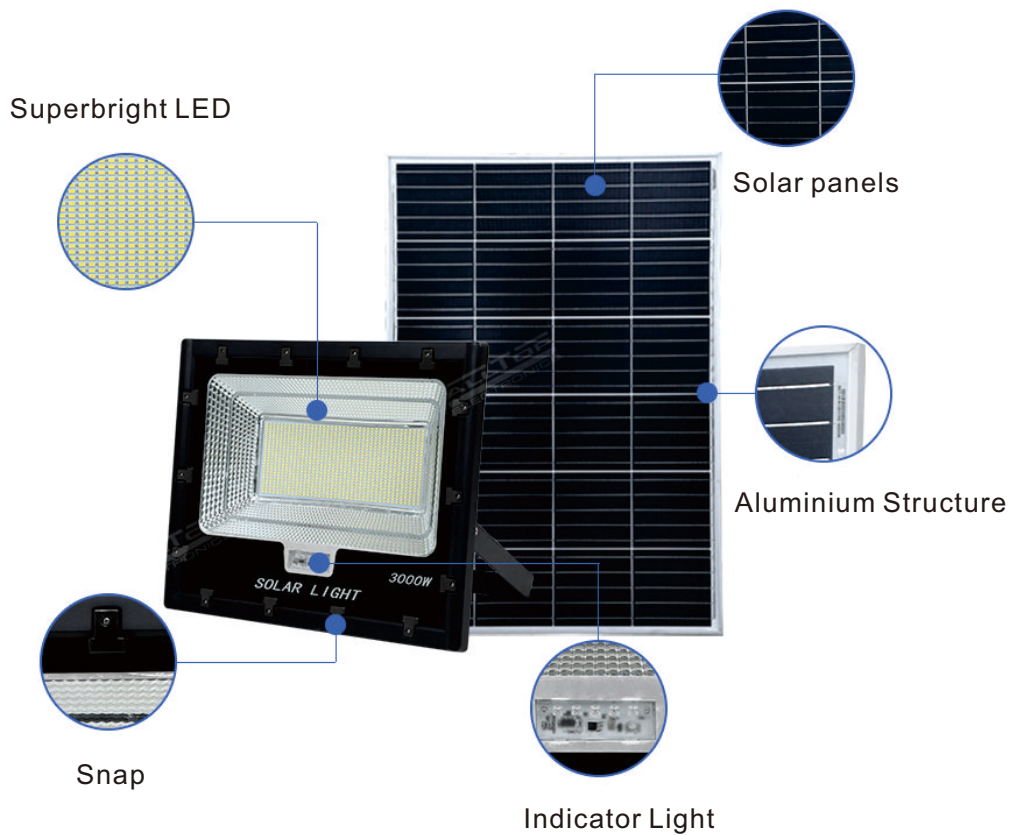


PRODUCT SPECIFICATION



| | |
|------------------|------------------------|
| Model | 0293C3000-01 |
| LED Lamp | 5730 LED 1000PCS 6000K |
| Solar Panel | 6V 90W Polycrystalline |
| Battery Type | LiFePO4 3.2V 65AH |
| Charging Time | 6-8 Hours |
| Discharging Time | 30-36 Hours |
| Led | 160lm/w |
| Material | HIPS |
| Product Size | 550*440*121.7mm |
| Warranty | 3 Years |

PRODUCT DETAILS



www.alltopgroup.com

Zhongshan ALLTOP Lighting CO., LTD

Fuqing Road2, Yongxing Industrial Park, Henglan, Zhongshan, Guangdong, P.R.C



PRODUCT ADVANTAGE



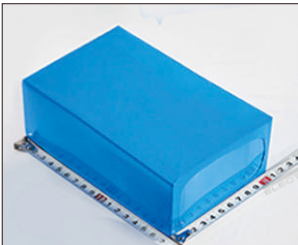
● **High Brightness 160LM/W**

Moisture-proof and waterproof, high quality LED lamp bead has a wide lighting range.



● **Efficient Solar Panel**

High quality polycrystalline silicon material, high charging efficiency, long lifespan

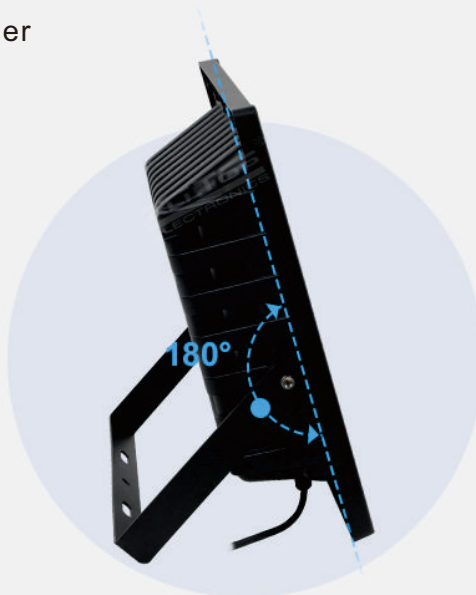


● **Larger Capacity Battery**

Long battery lifespan and more durable, can save up to 80% electricity. even use in the -20°C ~65°C area.

● **Adjustable Angle**

180° can be adjusted at any angle for easier installation and is suitable for use in any location.



www.alltopgroup.com

Zhongshan ALLTOP Lighting CO., LTD

Fuqing Road2, Yongxing Industrial Park, Henglan, Zhongshan, Guangdong, P.R.C



BATTERY SPECIFICATION

| | |
|--|-----------|
| DesignLife | 6-8 years |
| Nominal Voltage | 3. 2V |
| Nominal Capacity | 65Ah |
| Self-Discharge | |
| 3% of capacity declined per month at 20°C(average) | |
| Operation Temperature Range | |
| Discharge | -20~60°C |
| Charge | -10~60°C |
| Storage | -20~60°C |
| Max.Discharge Current 77°F(25°C) | 1200A(5s) |
| Short Circuit Current | 3000A |

BATTERY GUARANTEE OF QUALITY



No. 1 Battery Cells

High-end battery cells keep every cell's voltage, resistance, capacity, discharging always in sync



No. 2 Battery Protector

High precision IC keep performance more stable protect over load ,over charge , over discharge ,short circuit ,over voltage ,over current keep battery pack always safe and long life span



No. 3 Precision Welding Machine

Fully automatic precision welding machine can ensure that every battery can be welded firmly to prevent the danger of short circuit or power failure



No. 4 Aging Test Machine

every battery pack need to thorough charging and discharging test by the aging test machine to keep 100% qualified

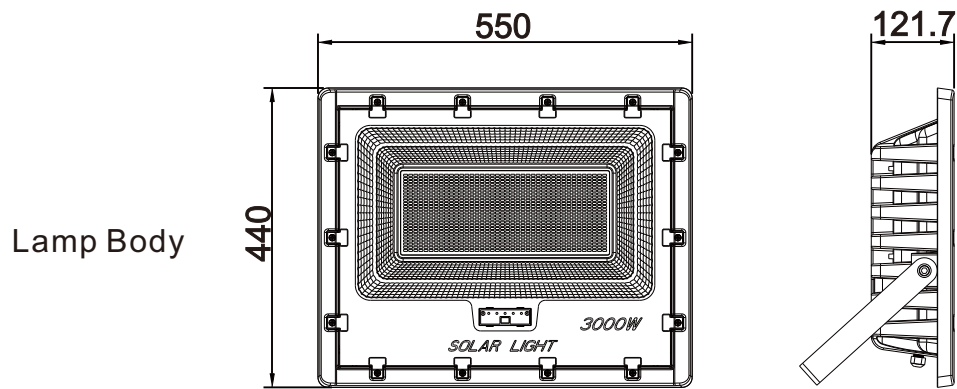
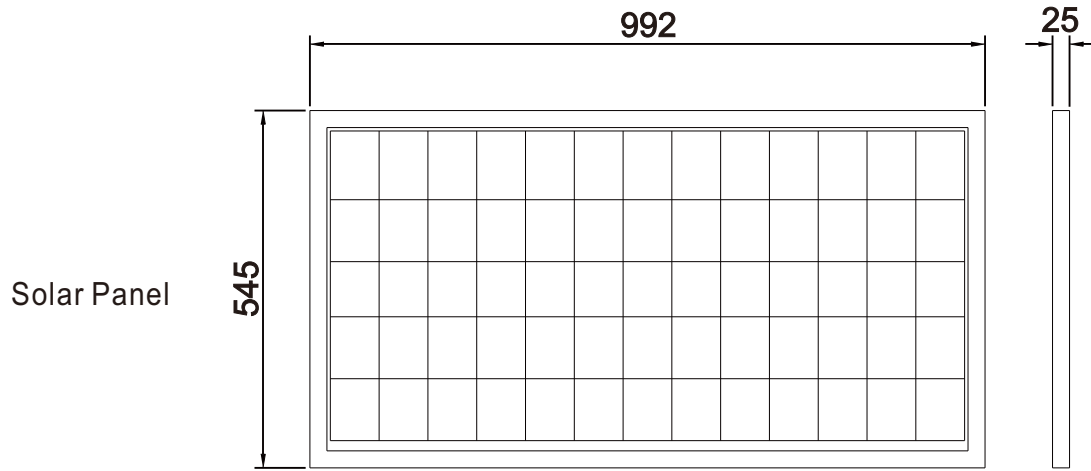
www.alltopgroup.com

Zhongshan ALLTOP Lighting CO., LTD

Fuqing Road2, Yongxing Industrial Park, Henglan, Zhongshan, Guangdong,P.R.C



INSTALLATION DIMENSION



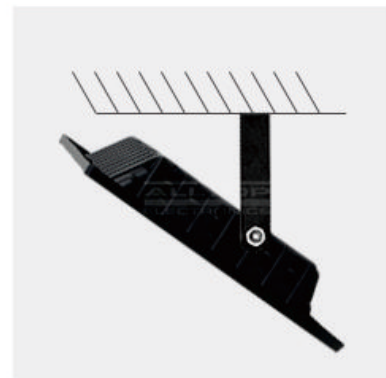
INSTALLATION METHOD



Wall Mounting



Ground Mounting



Ceiling Mounting

www.alltopgroup.com

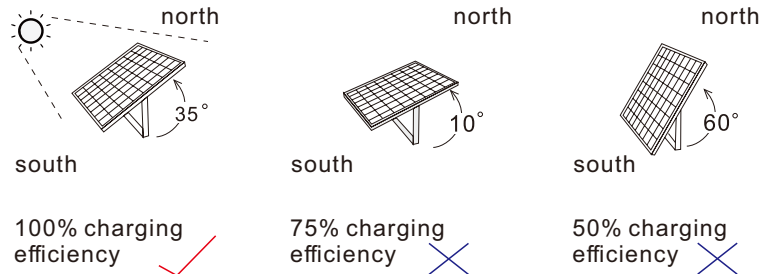
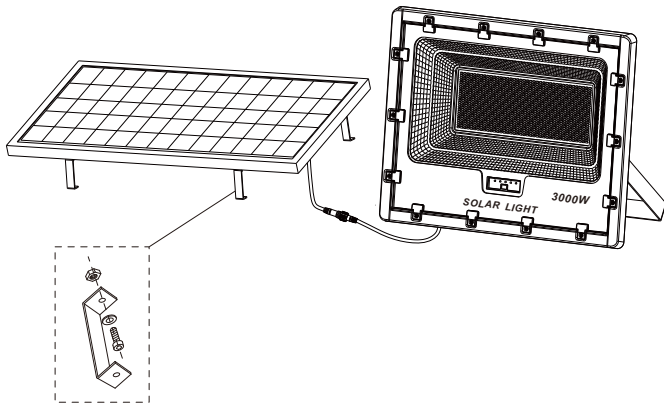
Zhongshan ALLTOP Lighting CO., LTD

Fuqing Road2, Yongxing Industrial Park, Henglan, Zhongshan, Guangdong, P.R.C



USER GUIDE

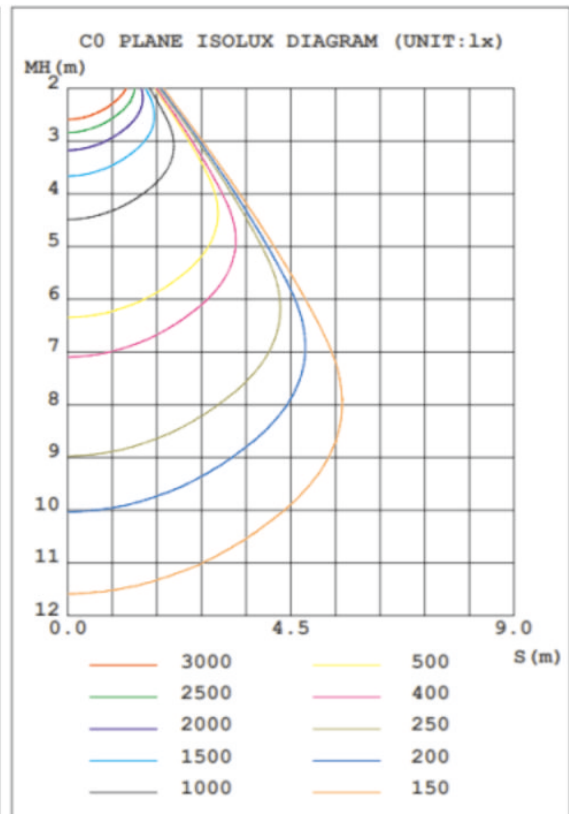
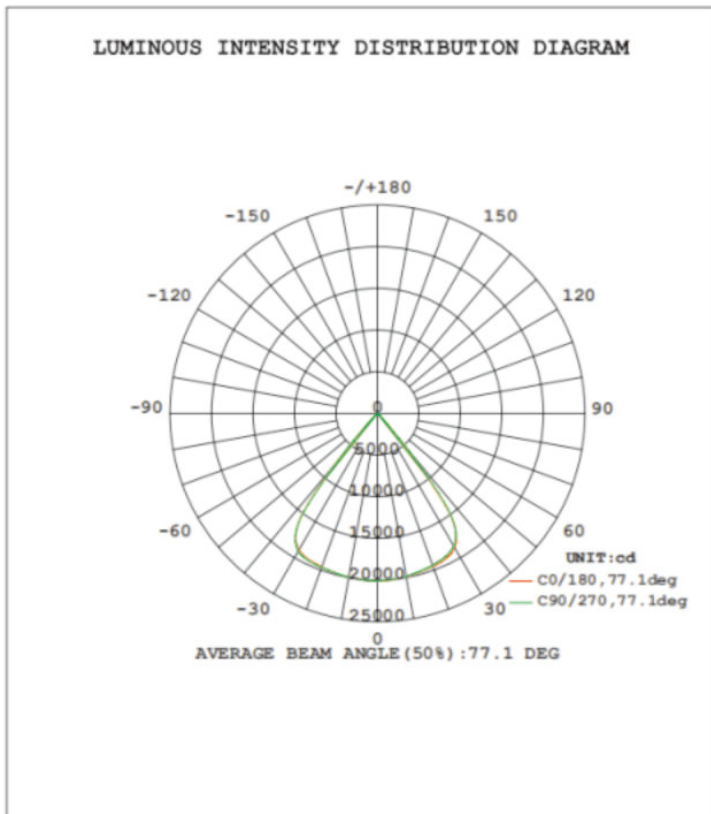
Make sure the solar panels are installed at the correct angle and it will not be blocked by obstacles.



Tips:

1. Installation direction of the solar panel is 5-10 degrees south to west, an angle of 35 degrees with the horizontal plane.
2. Please install the solar panel in the sun direction to avoid affecting the power generation efficiency.
3. Please ensure the installation is stable.

LIGHTING DATA



www.alltopgroup.com

Zhongshan ALLTOP Lighting CO., LTD

Fuqing Road2, Yongxing Industrial Park, Henglan, Zhongshan, Guangdong, P.R.C



